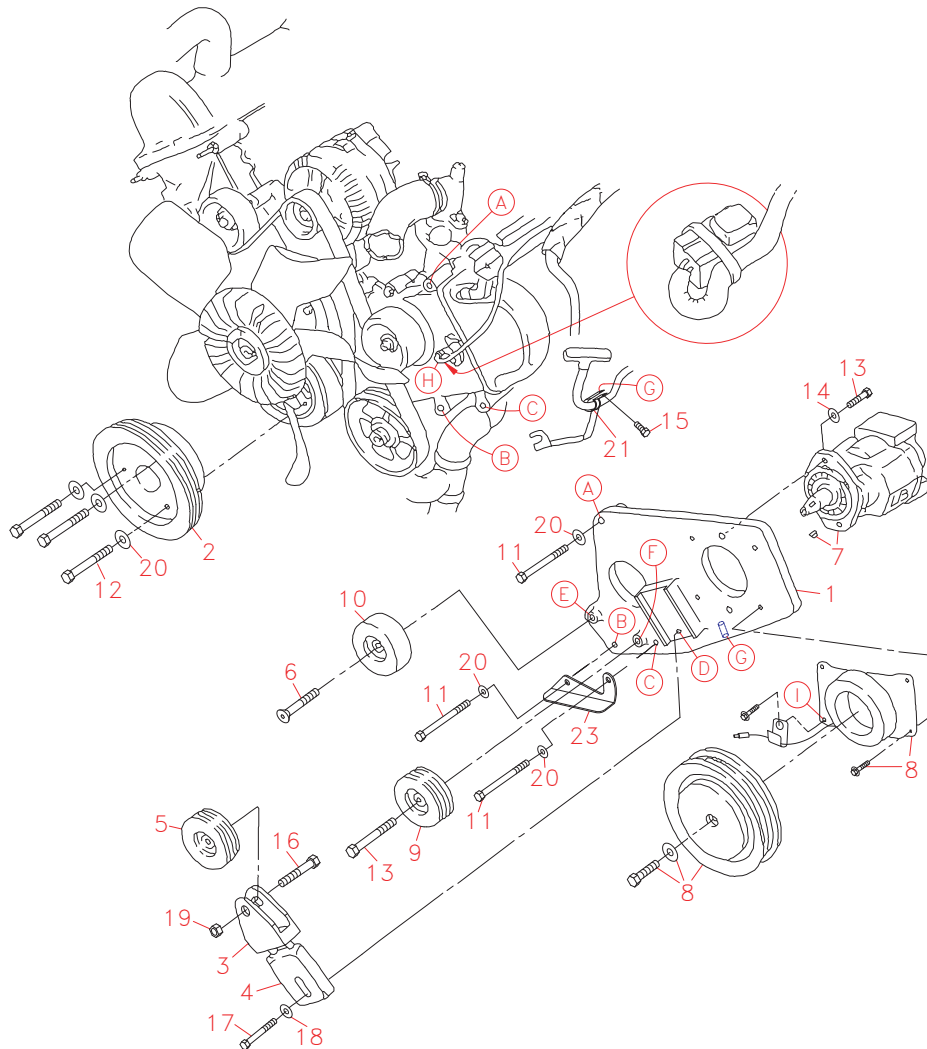


-----	Bracket Assy. (See item 1)		Kit No.	700099
711079	Bracket Bolt Pkg. (Inc. items 11, 15, 20, 21)		Make	Ford (van)
711080	Pulley Bolt Pkg. (inc. items 12, 20)		Engine	5.4L
711081	Idler Bolt Pkg. (Inc. item 6, 13)		Fuel	Gas
711083	Idler Bolt Pkg./Tensioner (Inc. items 17, 18)		Year	1997
711078	Tensioner Assy. (Inc. items 3-5, 16, 19)		Equipment	With A/C
711131	Tensioner Assy. (Inc. items 3, 4)		Revised	B 10-7-97

ITEM	PART #	DESCRIPTION
1.	711076	PUMP PLATE
2.	740228	CRANKSHAFT PULLEY
3.	711091	CLEVIS/TENSIONER
4.	711077	BASE/TENSIONER
5.	740239	SERP. IDLER/TWO BUSHINGS
6.	110211	3/8NC X 1 1/2 C'SUNK SKT. HD. BOLT
7.	*	PUMP
8.	740144	CLUTCH
9.	740238	SERP. IDLER/ONE BUSHING
10.	740232	FLAT IDLER/ONE BUSHING
11.	110113	10MM X 90MM X 1.5 BOLT
12.	110210	10MM X 50MM X 1.5 BOLT
13.	510113	3/8NC X 1 1/4 BOLT
14.	510271	3/8 LOCK WASHER
15.	710492	1/4NC X 1/2 BOLT
16.	410274	3/8NC X 1 3/4 BOLT
17.	410273	1/2NC X 2 1/2 BOLT
18.	410265	1/2 FLAT WASHER
19.	510491	3/8NC LOCK NUT
20.	510260	7/16 LOCK WASHER
21.	130011	ADEL CLAMP
22.	740229	BELT/MICRO-V K060735
23.	711130	HOSE PROTECTOR BRKT.

* See master list for pump part number.

FIG. 1



(A)(B)(C)...Denotes bolt holes in engine to locate corresponding holes in Pump Brkt.

FIG. 2

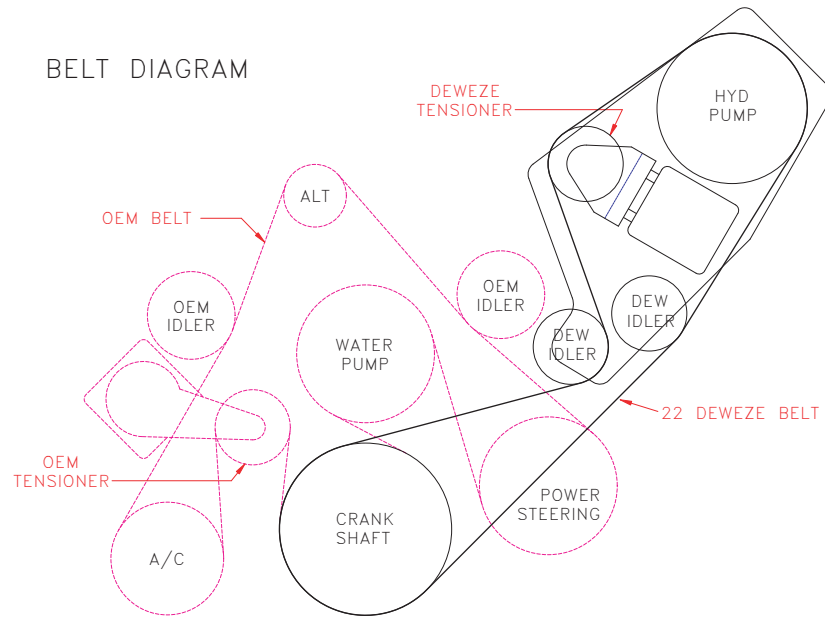


FIG. 3