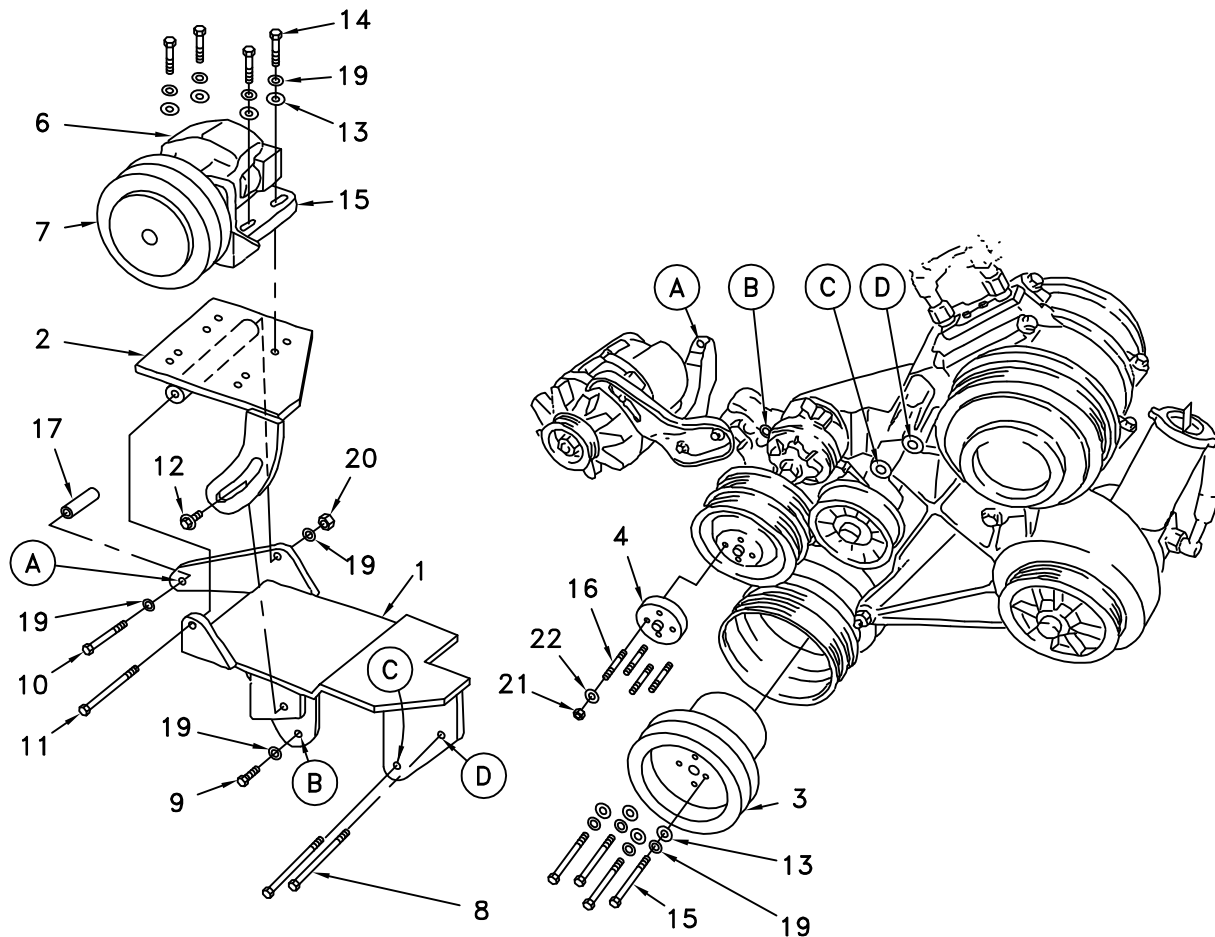


DEWEZE

710053	Bracket Assy. (Inc. items 1,2)		Clutch Pump Kit	700066
710813	Bracket Bolt Pkg. (Inc. items 7-14,17,19,20)		Make	Ford
710445	Pulley Bolt Pkg. (Inc. items 13,15,19)		Engine Size	460
None	Idler Bolt Pkg.		Fuel	Gas
700182	Fan Spacer Bolt Pkg. (Inc. item 16,21,22)		Year	1988-1994
			Revised	C 2-13-04
Options	Hvy Dty Wtr. Pump	Two Belt Hyd. Pump Drive		

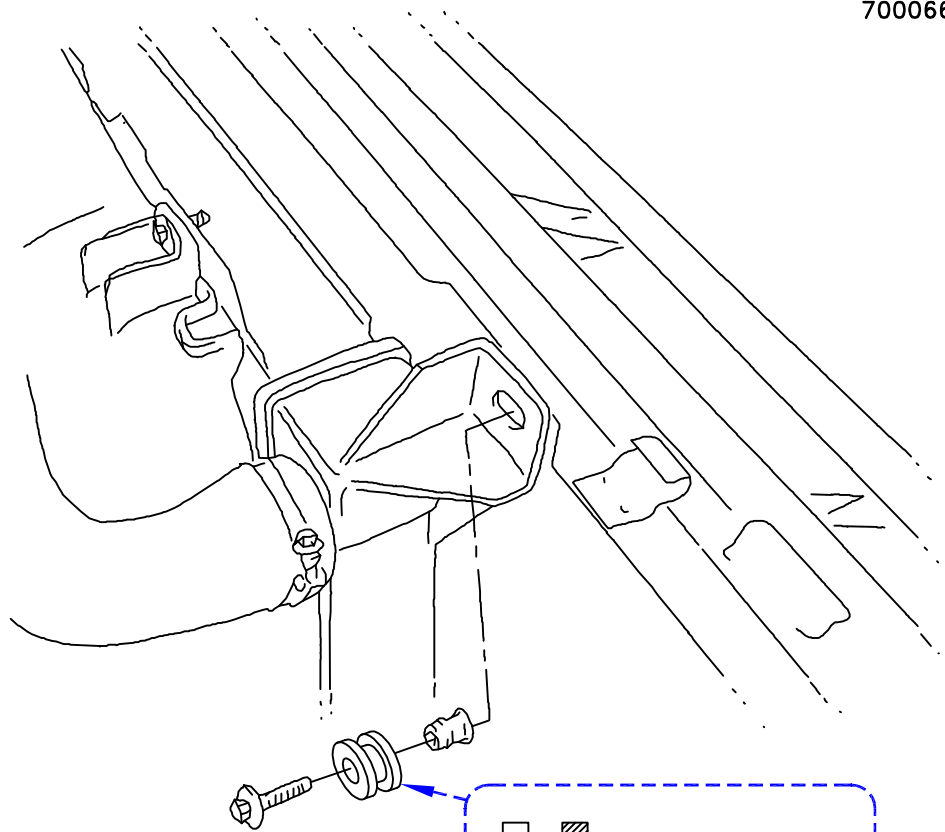
ITEM	PART #	DESCRIPTION
1.	710818	Pump mounting bracket
2.	710816	Pump pivot plate
3.	740023	Crankshaft pulley
4.	700154	Fan spacer
5.	711216	Foot mount
6.	*	Pump
7.	740037	Clutch, standard
	740038	Clutch, heavy duty
8.	110482	7/16 x 6 1/2 NC bolt
9.	110420	3/8 x 1 NC bolt
10.	110495	3/8 x 3 3/4 NC bolt
11.	110542	3/8 x 5 1/2 NC bolt
12.	110437	3/8 x 3/4 NC bolt
13.	110676	3/8 Flat washer
14.	110425	3/8 x 1 1/4 NC bolt
15.	110540	3/8 x 4 1/2 NC bolt
16.	710345	5/16 x 3 Stud
17.	710842	Spacer, 1.625"
18.	740055	V-belt, Gates A59
19.	110672	3/8 Lock washer
20.	110612	3/8 NC Nut
21.	110608	5/16 NC Nut
22.	110674	5/16 Lock washer

* See Master List for Pump Part No.



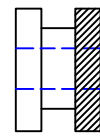
Ⓐ Denotes bolt holes in engine to locate corresponding holes in Pump Brkt.

FIG. 2

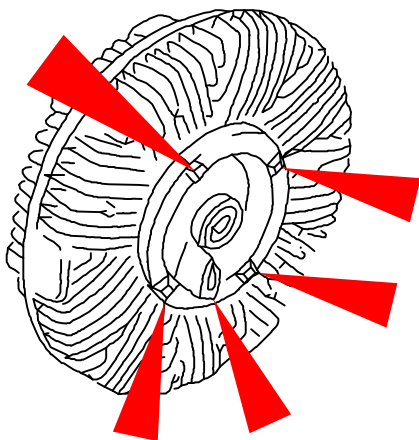


To give more clearance between the fan and the radiator:

Remove the mounting bolts at the top corners of the radiator. Remove rubber grommet from radiator bracket. Take the steel bushing out of the grommet and discard the bushing. Cut off the front flange of the grommet. Replace the grommet in the radiator bracket and tighten the bolt.



CUT OFF
THIS FLANGE



Grind off the four pyramid-shaped protrusions and the thermostat mount flush with the ring on the front surface of the fan clutch.